

Handling System for Dishwasher Roller Conveyor, 90° Curve Unit

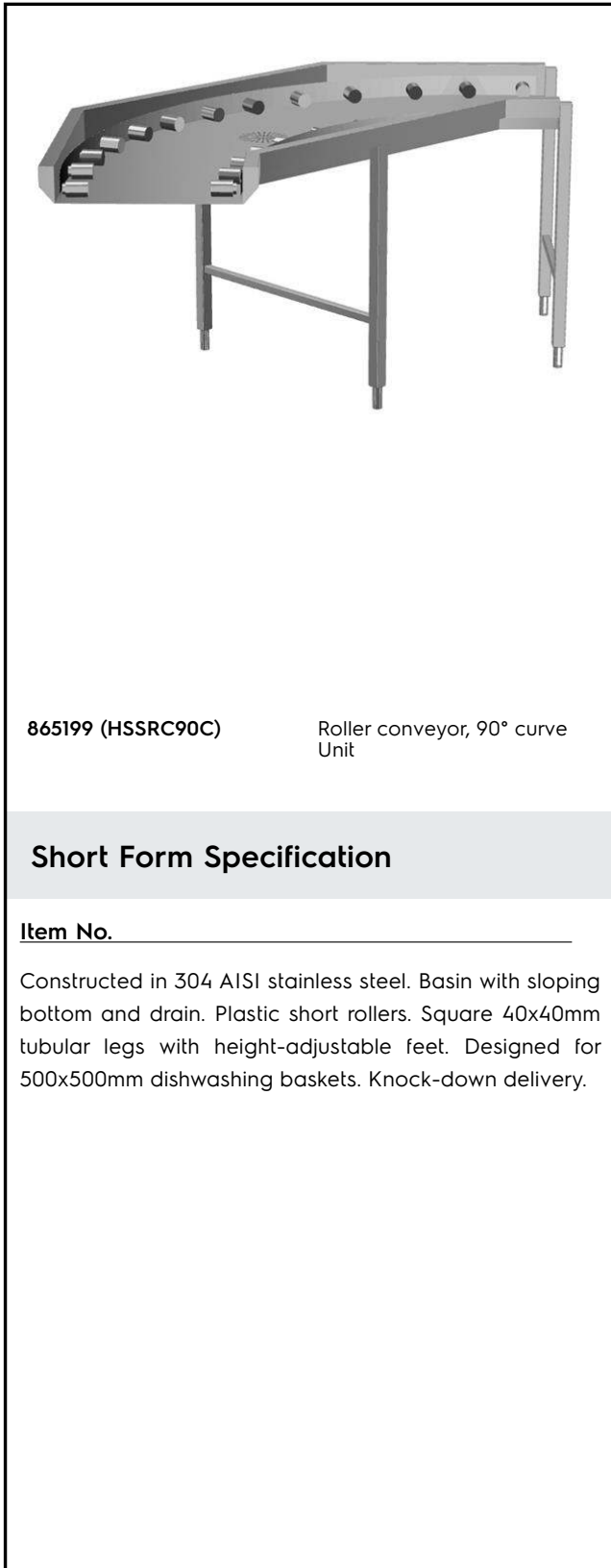
ITEM # _____

MODEL # _____

NAME # _____

SIS # _____

AIA # _____


865199 (HSSRC90C)

 Roller conveyor, 90° curve
 Unit

Short Form Specification

Item No. _____

Constructed in 304 AISI stainless steel. Basin with sloping bottom and drain. Plastic short rollers. Square 40x40mm tubular legs with height-adjustable feet. Designed for 500x500mm dishwashing baskets. Knock-down delivery.

Main Features

- Designed to transport 500x500 mm dishwashing baskets.
- Conveyors supplied as knockdown and easy to assemble.
- The table is suitable for both rack type and hood type dishwasher. Rack type dishwasher can be connected directly to the table, while there are optional accessories to adapt the table with hood type dishwasher.
- "Key holes" and "snap on" system reduces the number of screws needed for fast and easy installation.
- Manual rack movement with short rollers.
- Drain can be turned 360°.
- The table can be used in loading and/or unloading sides.
- Suitable to install in combination with other tables.

Construction

- All surfaces smooth with polished finish.
- 40x40 mm square tubular legs in AISI 304 stainless steel.
- Thick welded flanges for sturdy connection between the units.
- Stainless steel feet 50 mm adjustable in height to align the operation height between the dishwasher and table.
- Four legs included.
- AISI 304 1,2mm stainless steel basin.
- Sloping bottom of the table grants a smooth and rapid drainage.

Optional Accessories

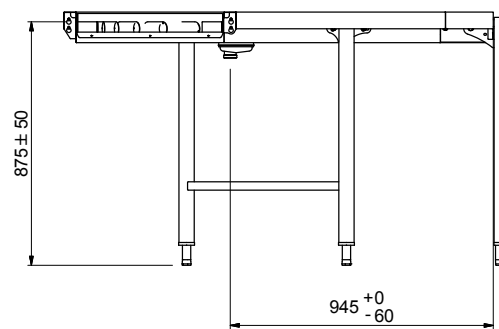
- Emergency stop kit for Rack Type PNC 865162
 Dishwasher (not for Basic handling system)
- Connection plate (short) for left side to connect handling system to hood type PNC 865163
- Connection plate (long) for front and right side to connect handling system to hood type PNC 865164
- End plate for conveyor table PNC 865217
- End limit switch for short roller conveyor PNC 865218

APPROVAL: _____

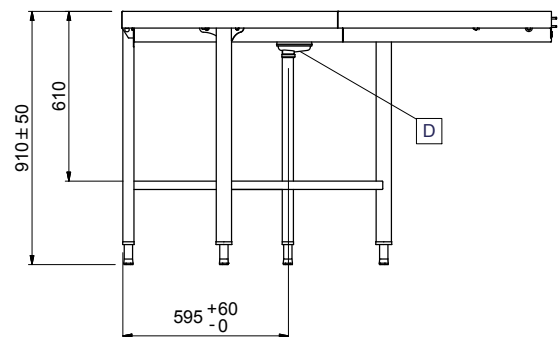
Key Information:

External dimensions, Width:	
865199 (HSSRC90C)	1545 mm
External dimensions, Depth:	1545 mm
External dimensions, Height:	910 mm
Net weight:	39 kg
Height adjustment:	50/50 mm
Basin material:	Stainless Steel AISI 304 - EN 1.4301
Type of rollers:	Short

Front

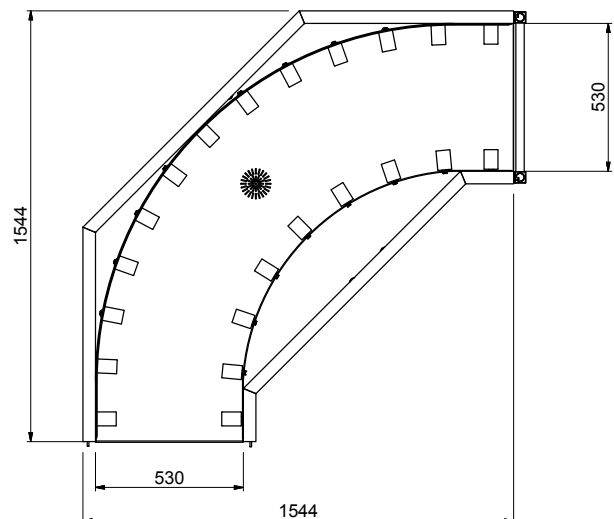


Side



D = Drain

Top



Handling System for Dishwasher
 Roller Conveyor, 90° Curve Unit

The company reserves the right to make modifications to the products without prior notice. All information correct at time of printing.

2026.03.09